



PRODUCT CATALOG 2015

- > RESIDUE MANAGEMENT
- > CLOSING WHEELS
- > FERTILIZER APPLICATION
- > STRIP-TILL TOOLS
- > VERTICAL TILLAGE
- > SEEDBED PREPARATION
- > MANURE APPLICATION

Yetter
PROFITABLE SOLUTIONS

**85 years of agricultural
equipment innovation**

Profitable Solutions for Production Agriculture

Yetter Farm Equipment has been developing groundbreaking products for North American growers for more than 85 years. All Yetter products enable growers to do the job better and in less time, and the 2014-2015 product lineup is no exception. From ① strip-till equipment and ② residue management to ③ closing wheels and ④ fertilizer application, you are sure to find the right product for your unique operation.



CATALOG CONTENTS

New Profitable Solutions	>>>>>>	3
Coulter Tillage	>>>>>>>>>>	4-6
Fertilizer Application	>>>>>>>	7-11
Manure Application	>>>>>>>	12
Closing Wheels	>>>>>>>>>>	12-13
High-Speed Application	>>>>>>	14
Strip-Tillage	>>>>>>>>>>>>>>>>	15
Residue Management	>>>>>	16-19
Air Adjust Series	>>>>>>>>>>	20-21
Residue Management Attachments	>	22
Stalk Rollers	>>>>>>>>>>>>>>>>	23
Toolbars	>>>>>>>>>>>>>>>>	24
Markers	>>>>>>>>>>>>>>>>	24-25
Coulter Carts	>>>>>>>>>>>>>>>>	25
Rotary Hoes	>>>>>>>>>>>>>>>>	26
71 Series	>>>>>>>>>>>>>>>>	27
Bulk Seed Handling	>>>>>>>>	27

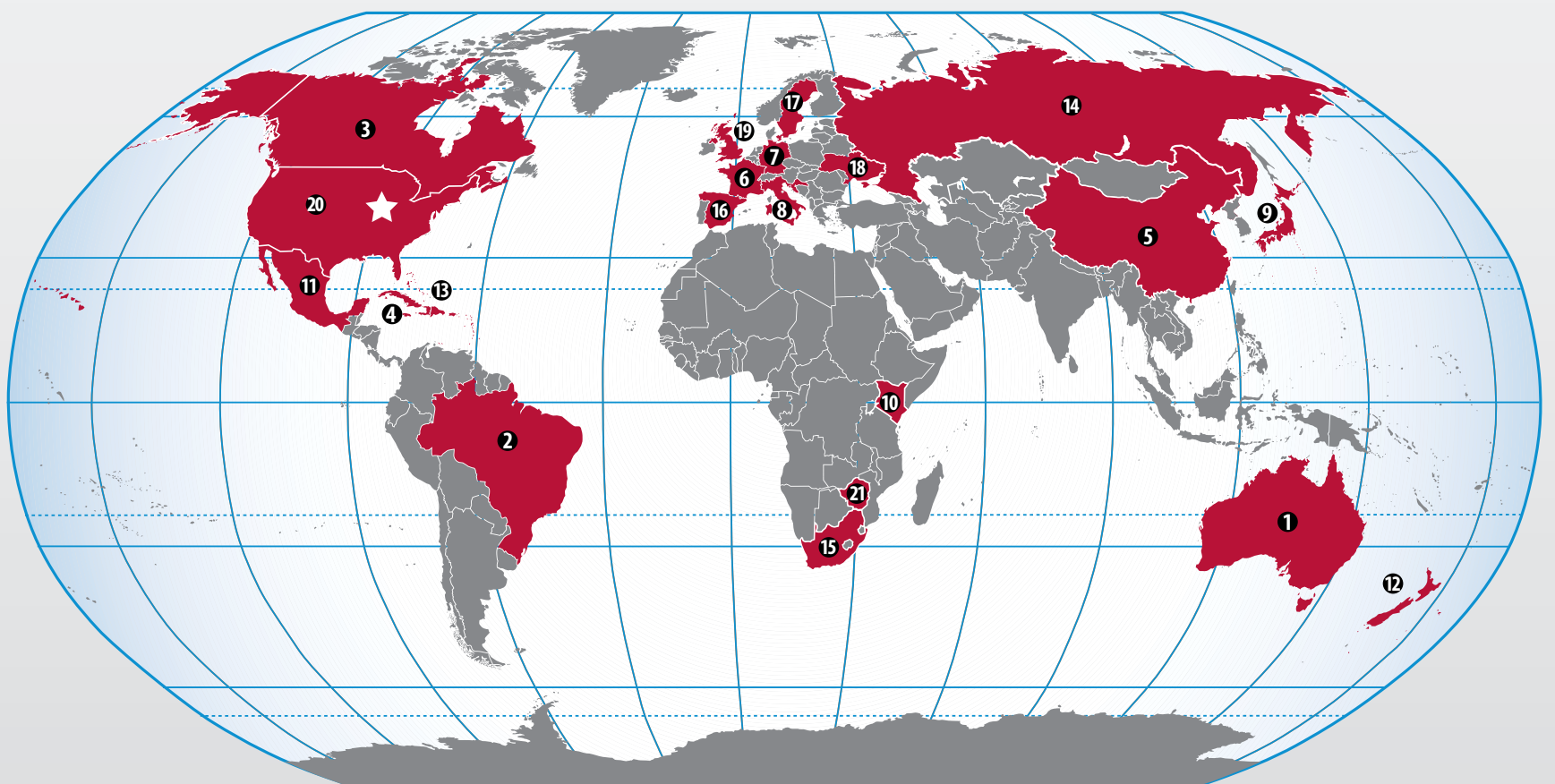
Recognized Around the World: A Leader in Profitable Solutions

Making farming easier, faster, and more profitable. That's been our goal at Yetter since Harry and Etta Yetter began selling their Wheel Cleaners for steel tractor wheels over 85 years ago. Today, Yetter Farm Equipment's tools meet the needs of producers all over the world. In North America and beyond, our solutions for residue management, precision placement of fertilizer, closing wheels, and coulter tillage are recognized as some of the best in the business. Our reputation as makers of profitable solutions for production agriculture is expanding.

Yetter solutions at work in:

1. Australia
2. Brazil
3. Canada
4. Caribbean
5. China
6. France
7. Germany
8. Italy
9. Japan
10. Kenya
11. Mexico
12. New Zealand
13. Puerto Rico
14. Russia
15. South Africa
16. Spain
17. Sweden
18. Ukraine
19. United Kingdom
20. United States
21. Zimbabwe

★ plant location



Maximize Your Yield, Maximize Your Return With Yetter Planter Attachments

Take a look at our products, see how they work, and see how you can realize savings with tools from Yetter Farm Equipment. This worksheet shows that adding Yetter planter attachments to a planting setup is one way to increase stand counts, resulting in the possibility of a significant return on investment. Remember, each operation and growing season is different, and other factors will affect stand counts.

General Farm Info

	Example	Your Farm
Acres of corn planted annually	500	_____
Average planting population	34,000	_____
Average field stand count after planting	32,000	_____
Average plant population lost	2,000	_____
Every 1,000 corn plants equals a 7 bushel-per-acre loss	7	_____
Bushels-per-acre lost	14	_____
Average per-bushel-price corn sold last year	\$5.00	\$ _____
Number of rows on planter	16	_____

Why Invest in Planting Attachments?

Cost per Yetter residue manager	\$390.00	\$ _____
Cost to equip planter		
Planter size (x) cost of residue manager: 16 (x) \$390	\$6,240.00	\$ _____

Revenue Loss With Lower Planting Population

Bushels lost (x) acres (x) average price: 14 (x) 500 (x) \$5.00	\$35,000.00	\$ _____
---	-------------	----------

Potential First Year Return on Investment

Total revenue loss (-) total cost of residue managers: \$35,000 (-) \$6,240.00	\$28,760.00	\$ _____
--	-------------	----------

Use the Yetter ROI calculator online: www.yetterco.com/roi-calculator, or scan the code below to access this tool from your smartphone.



Visit Us Online at yetterco.com

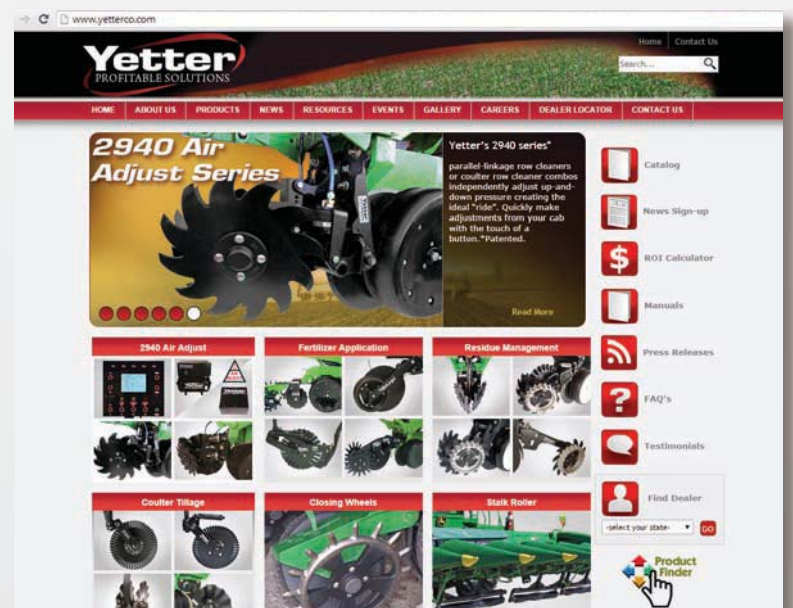
On our website, not only will you find a wealth of information about Yetter products, you'll find up-to-date information about the trends in the industry and information about the real-world challenges producers face.

At yetterco.com, you can:

- Find the latest information about Yetter products by reading our new product press releases.
- Find a Yetter dealer near you.
- Click on Resources to download manuals and find helpful guides.
- Sign up for the *Leading Edge*, our free newsletter that focuses on real-world problems and brainstorms real-world solutions.
- Read testimonials from Yetter customers and dealers to find out how they have adapted Yetter products to their operations.



You'll find these codes throughout the catalog. Use a free app on your smartphone to scan them and go straight to that product's page on our website.



Repair, Replace, or Refund: Yetter Guarantees Performance

The best products deserve the best guarantee. The Yetter guarantee is simple. If, during the first 30 days, your Yetter equipment doesn't perform as promised, and if we don't make it perform in a reasonable amount of time, we'll repair it, replace it, or buy it back.

Yetter Manufacturing Company reserves the right to alter equipment specifications without notice or obligation. Various products mentioned in this catalog are either patented or have patents pending. No portion of this catalog may be reproduced or used in any manner without the express written permission of Yetter Manufacturing Company. The information contained in this catalog is offered in good faith by Yetter Manufacturing Company to further the understanding of conservation farming. However, the use of the information provided is beyond the control of Yetter Manufacturing Company, and in no case shall Yetter Manufacturing Company or any seller of its products be responsible for any damages that may occur from the use of this information. All such risks shall be assumed by the user. (Due to the volume of equipment and specifications involved, the possibility of error does exist. If you discover such an error, please notify us as soon as possible so that we may correct it.)

2984 STRIP FRESHENER

Ideal for reviving spring strips

- Features blade arrangement and rolling basket to condition existing strips to warm planting zone
- Operates at 6" to 10" mph and 2" to 4" deep
- Features parallel linkage to follow field contour and to allow for easy adjustments
- Has universal mounting bracket to fit 4" x 4", 5" x 7", 6" x 6", and 7" x 7" toolbars



2995 XTREME FERTILIZER COULTER

Precision placement with extreme adjustment options

- Precisely place liquid or dry fertilizer at 3" to 6" deep
- Is available with either injection or rear knife options
- Features factory down pressure set at 2,000 pounds
- Allows up to 6" of vertical travel with a range of vertical shank adjustments
- Is available with a 20" smooth, ripple, or notched blade
- Has a 1 3/4" diameter mount shank
- Mounting kits are available for 4" x 4", 4" x 6", 6" x 4", 6" x 6", 5" x 7", and 7" x 7" toolbars



2995 XTREME CUTTING COULTER

Take down pressure and vertical travel to new levels

- Spring pressure is adjustable up to 2,000 pounds to cut through different residue and soil conditions
- Allows up to 6" of vertical travel with a range of vertical shank adjustments
- Is available with a 20", 22", or 24" blade
- Has a 1 3/4" diameter mount shank
- Mounting kits are available for 4" x 4", 4" x 6", 6" x 4", 6" x 6", 5" x 7", and 7" x 7" toolbars



1000 AUGER ACE™

AUGER ACE™

The ace in the hole for auger control™

- Double-acting hydraulic cylinder allows for quick and easy side-to-side leveling in relation to the storage container or bin intake hole
- Features universal mounting brackets for grain and fertilizer augers and conveyors



6200-060 N KEEPER™

Keep nitrogen in place

- Seals the slot after fertilizer is applied, preventing fertilizer evaporation
- Is ideal for pre-plant and side-dress application
- Features spring loaded down pressure to maintain ground contact at all times
- Has adjustable angle and down stop for varying field conditions
- Is available for 2995 and 2996 20" fertilizer coulters, and Generation III Coulters



6200 INTERCHANGER FOR CLOSING WHEELS



Easy changes in varying weather and soil conditions

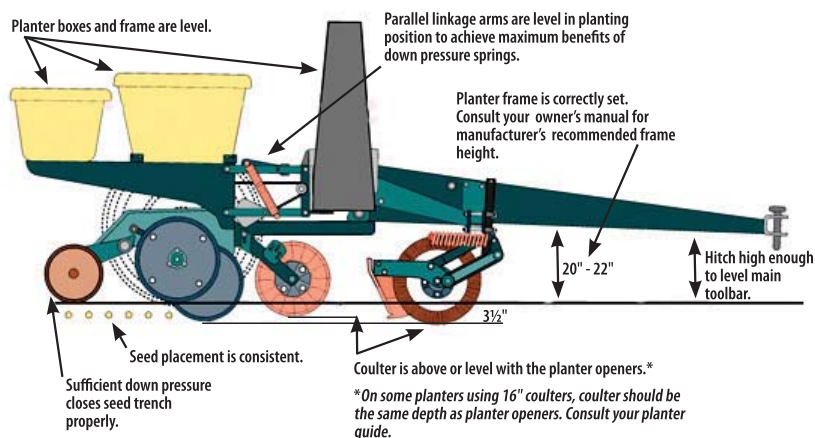
- Makes it possible to use cordless impact wrench or ratchet to remove closing wheels, enabling quick change to different wheel models
- Kits available for John Deere, Kinze, and White planters

Get the Most Out of Yetter Coulters

Yetter Farm Equipment uses cutting-edge engineering to design coulters and attachments that solve today's production agriculture challenges. Our tools reach optimum performance when your planter is adjusted to match existing conditions. The diagrams on this page will help start your planting preparation. For a more detailed guide, visit yetterco.com, choose Resources, and click on Planting Prep.

CORRECT POSITION > Your planter or drill is outfitted with attachments to enhance its performance when undertaking conservation tillage. Most attachments are designed to operate in a specific range of depth only attainable when your planter frame and boxes are level.

Figure 1 - PLANTER THAT HAS BEEN CORRECTLY LEVELED



INCORRECT POSITION > If your planter remains in a setting preferable for tilled ground when planting into no-till, the unit-mounted coulters run below the planter double disc openers, and the frame-mounted fertilizer coulters run at a depth of greater than 3½". This is likely to lead to the formation of air pockets below the seed and other production problems.

Figure 2 - PLANTER THAT HAS NOT BEEN CORRECTLY LEVELED

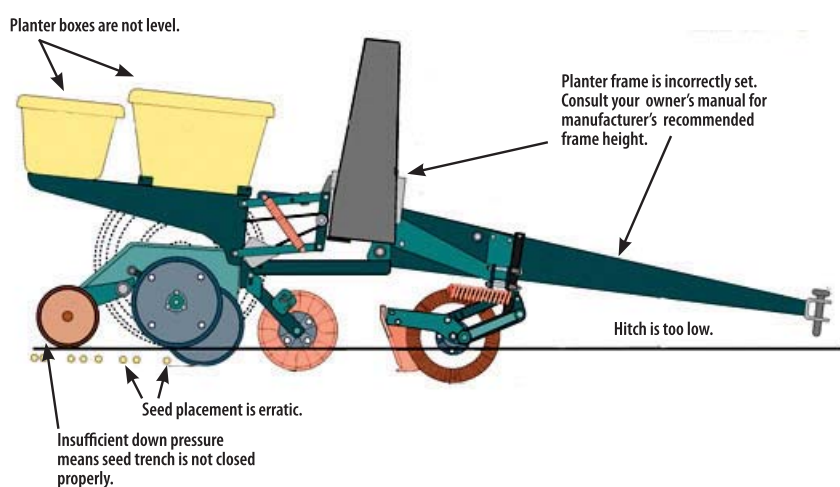
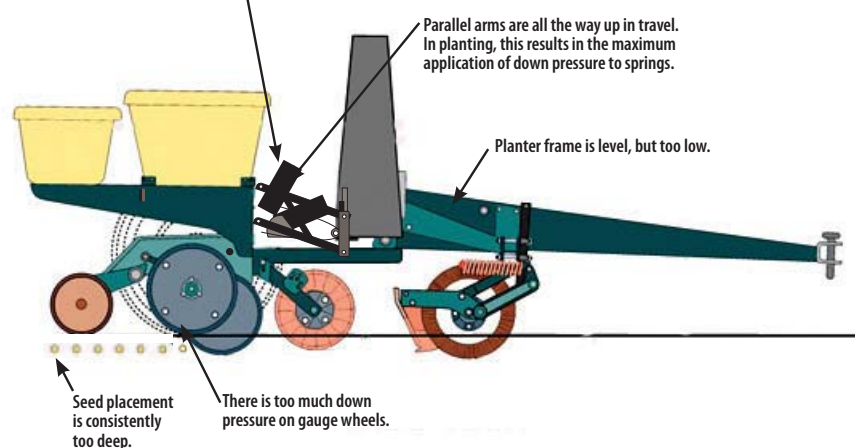


Figure 3 - PLANTER THAT HAS NOT BEEN CORRECTLY LEVELED

Excessive wear to parallel linkage arms, bushings, bearings, gauge wheels, and disc opener blades can diminish planter performance.



800.447.5777
www.yetterco.com

A Smart Investment With Multiple Uses

Growers value 2982 Vertical Tillage Attachments for their multiple uses that produce time and money savings. Yetter VTAs have a low operating cost per acre and can be run at relatively high speeds of 6 to 10 mph, which saves time in the field. Retrofitting an out-of-use piece of equipment with VTAs creates a versatile tool usable in the spring or the fall—these attachments perform well in a wider range of conditions than most tillage tools. Vertical Tillage Attachments are an excellent addition to manage light or heavy residue and fluff soil. They allow for quick mixing of manure and soil to prevent loss of nutrients and control odor. VTAs can also be used for very shallow incorporation of fertilizer and select herbicides.

2982 VERTICAL TILLAGE ATTACHMENT*

The year-round tool for the perfect seedbed

- Lightly tills soil, incorporates and sizes residue
- Bolts on to chisel plow, field cultivator, or soil finisher shank
- Warms soils more quickly and extends the growing season
- Is available with adapters for NH3 shanks

> PROFITABLE SOLUTION:
Can be equipped with a wide selection of coulters blades. See page 4 for options.



More Coulters, More Fracturing

Adding one coulters is advantageous—it cuts a narrow slot and leaves the surrounding soil relatively undisturbed. With more coulters, however, you can increase the level of fracturing. Two coulters, usually staggered front to back, allow for residue flow-through and leave a mellow planting strip. Consider three or more coulters for maximum soil lifting and fracturing.

2960 UNIT-MOUNT COULTER



The standard by which all other coulters are judged

- Attaches easily to the front of most brand-name planters
- Accepts a variety of blades for various soil types and conditions
- Allows room for residue managers, fertilizer injectors, or other attachments
- Features adjustable depth-setting options and compact design

> PROFITABLE SOLUTION:
See page 4 for coulters options.

2910-130 HEAVY-DUTY COULTER

The perfect coulters for limited space

- Features a vertical travel of 6", allowing ample deflection for residue flow
- Slices through residue in tough conditions with 1,025 pounds of down pressure
- Has greasable, tapered bearings
- Has compact design that permits mounting in tight spaces



2930-2950 DISC-CHISEL COULTER

Spring-loaded coulters for use in several applications

- Mounting kits available to accommodate C-shanks and various toolbar sizes
- Accepts 17" or 20" diameter coulters blades



> PROFITABLE SOLUTION:
Add an injector kit; see page 7.

2900 ULTRA NARROW COULTER

The ultra narrow-profile coulters for tough-to-fit spaces

- Cuts through tough, heavy residue, improving planting success
- Compact design enables convenient installation in an area where bulkier coulters are tough to fit
- Mounts to planter frame, allowing the unit to fold up easily
- High-strength steel arm fits tightly between a twin-arm mounting bracket



2995 GENERATION III

Maximum down-pressure coulters

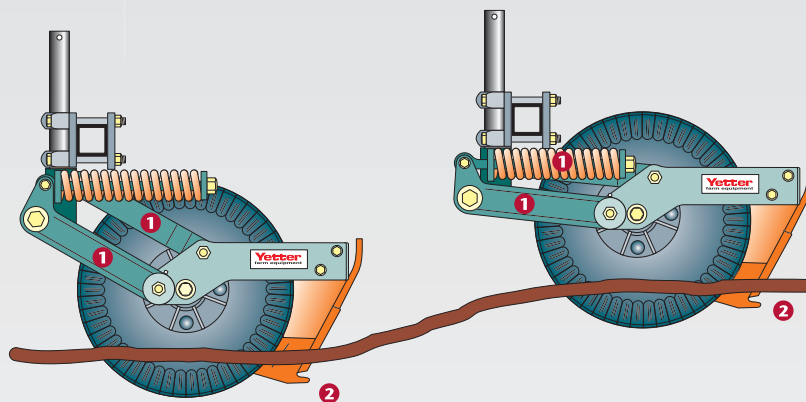
- Provides extra power through extra down pressure—1,100 pounds—in tough field conditions
- Features exclusive poly-plastic spring insert
- Accepts 16" to 22" blades



Build an Efficient, Effective Placement System

Adding a fertilizer knife or injection nozzle to your Yetter couler transforms it into a placement system with distinct advantages. A Yetter fertilizer couler with parallel linkage allows for True Placement™—two parallel arms fix the position of the fertilizer knife relative to the field surface. The narrow-design couler and adjustable spring work in tandem to place fertilizer next to the seedbed. All components are heavy-duty and include the long-lasting hub found on all Yetter coulers.

- 1 Parallel linkage
- 2 Blade and knife remain level



2920 MAX SEALER PLUS™



The latest in sealing innovations

- Independently operating arms facilitate outstanding residue flow and continuous soil contact
- Large vertical blades break up heavy residue and power through obstructions without springs
- Has easily adjustable blade pitch for precise, accurate sealing
- Blade options include 18" smooth or notched, 13 shallow wave, and 8 wave
- Bolts onto: 1" x 2" and 1¼" x 2" flat shanks, 1¼" square-coil shanks, and 2" shanks

> **PROFITABLE SOLUTION:**
Add SharkTooth® residue management wheels for the ultimate cutting machine.

2920 DISC SEALER



Adjustable blade pitch, superior sealing

- Bolts onto the following: 1" x 2" and 1¼" x 2" flat shanks, 1¼" square-coil shanks, and 2" shanks
- Is available with a variety of blade options, including 13½" notched, 16" smooth and notched, and 13" shallow wave
- Blades can be set to pinch slot closed or catch soil to cover the slot
- Is spring-loaded to follow the soil surface

2920-040 SEALER BRACKET



Complete sealing for manure application

- Mounts any Yetter sealer to popular manure shanks
- Uses soil displaced by opener to close knife opening

2920-020 WHEEL SEALER



The low disturbance sealer

- Bolts onto the following: 1" x 2" and 1¼" x 2" flat shanks, 1¼" square-coil shanks, and 2" shanks
- Has 40 mm bearings and 4" x 16" closing wheels
- Pinches slot closed

Attachment Options

2910 INJECTOR KITS

Turn your couler into the perfect placement tool

- Allows the tip to pivot and aims a fertilizer stream directly at the trench cut by the couler—a design exclusive to Yetter
- Eliminates potential for splashing and fertilizer waste
- Prevents residue buildup with an innovative shield
- Adjustable angles for precise placement



2910-135



2910-114



2910-137

GAUGE WHEELS

- Is a tough polymer wheel for consistent depth
- Executes shallow or deep fertilizer placement
- Is available in 9" or 11" options

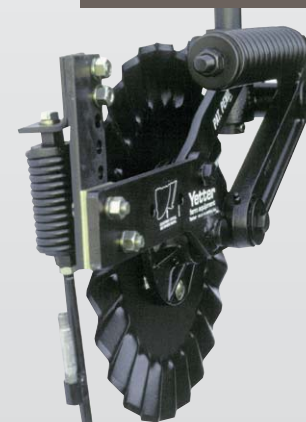


KNIFE SCRAPER



- Reduces frequency of knife adjustments

2995 SPRING TINE INJECTOR



- Adjustable, spring-loaded design for precise fertilizer placement
- Nozzles and tips not included

2995 PARALLEL LINKAGE FERTILIZER COULTER



Features 17" blade

- Standard wear-resistant CAD tip rear knife
- Effective placement with minimal adjustment in both no-till and minimum tillage applications
- Accepts injection systems, including coil tine injection nozzles



INJECTION



LIQUID REAR KNIFE



DRY REAR KNIFE

3600 FERTILIZER TOOLBAR FOR JOHN DEERE 4710-4830 SPRAYERS



Generate more revenue

- Designed especially for John Deere 4710-4830 sprayers with 80-90' booms
- Allows fast changeover from spray boom to fertilizer toolbar with unique quick-hitch system
- Constructed of 7" x 7" structural steel tubing
- Utilizes field-proven heavy-duty hinges to hydraulically fold for narrow transport width
- Locks into an extended position when in field with hydraulically activated locking mechanisms

2996 PARALLEL LINKAGE FERTILIZER COULTER



Features 20" blade

- Available with CAD tip rear knife for liquid or dry fertilizer
- Accepts fertilizer injectors
- Has 20" blade for deep root banding
- Fits most commonly sized toolbars



2930-2950 DISC-CHISEL COULTER



Spring-loaded coulter for use in several applications

- Accepts 17" or 20" diameter coulter blades
- Accepts optional fertilizer injector systems, as shown above on 2930 with straight shank; also fits 2950 with offset shank

Maximize Yield Potential

Fertilizer can give you the ability to produce healthy, strong, uniform stands and increase yield. When fertilizer is not properly placed, however, that potential is destroyed, and fertilizer may simply be washed away. Such waste costs growers and negatively impacts yields. Why take that risk? Ensure that you reach your maximum yield potential with the latest in fertilizer application equipment from Yetter.

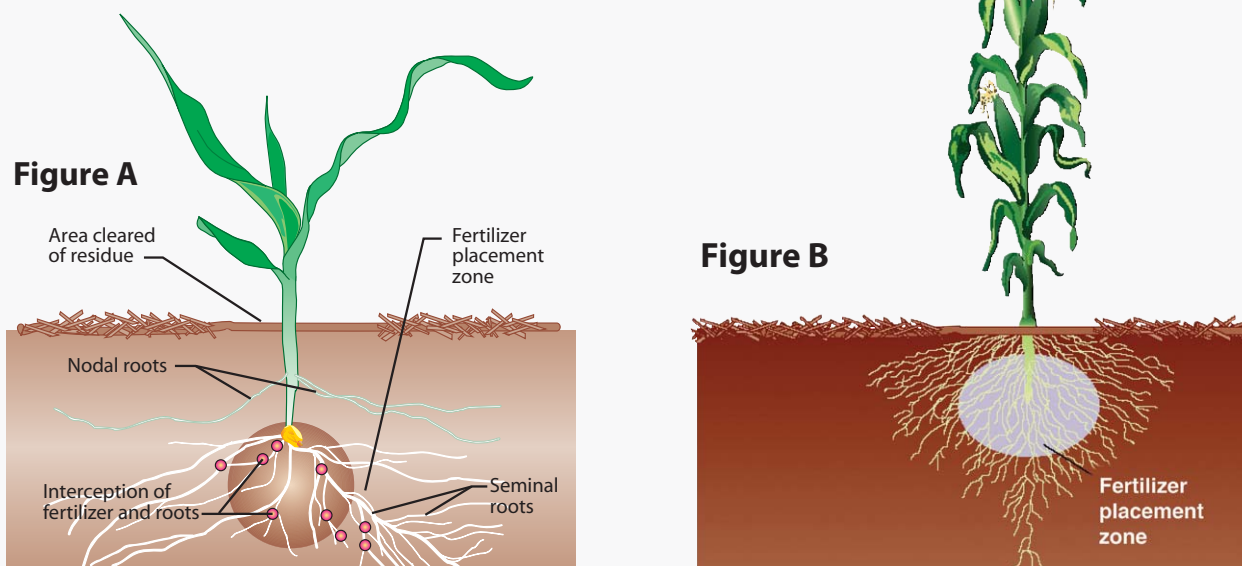
Our wide array of fertilizer application equipment puts you in a position to experience your best yields yet. Whether you prefer liquid or dry fertilizer, Yetter has a coultter to get the job done. Each model is created to provide ideal down pressure and depth adjustment regardless of your conditions. Yetter fertilizer application equipment delivers precision placement time and again, positioning fertilizer below the soil surface where it can nourish plants from the roots.

Get True Placement™

True precision nutrient placement equipment lets you hit the root zone regardless of tillage practice and application timing—strip-till, mid-row banding, or side-dressing, pre- or post-emergence. Look to Yetter for the product that's right for your operation.

FIGURE A: Placing nutrients just to the side and slightly below the seed puts them on target to intercept emerging roots. When roots hit that zone, there is a growth explosion. As more roots develop, they also encounter the fertilizer for an ongoing boost during critical growth stages.

FIGURE B: Almost half of a corn plant's roots are within 12" of the soil surface during tasseling. This means that your precision-placed fertilizer keeps working through the life of the plant.

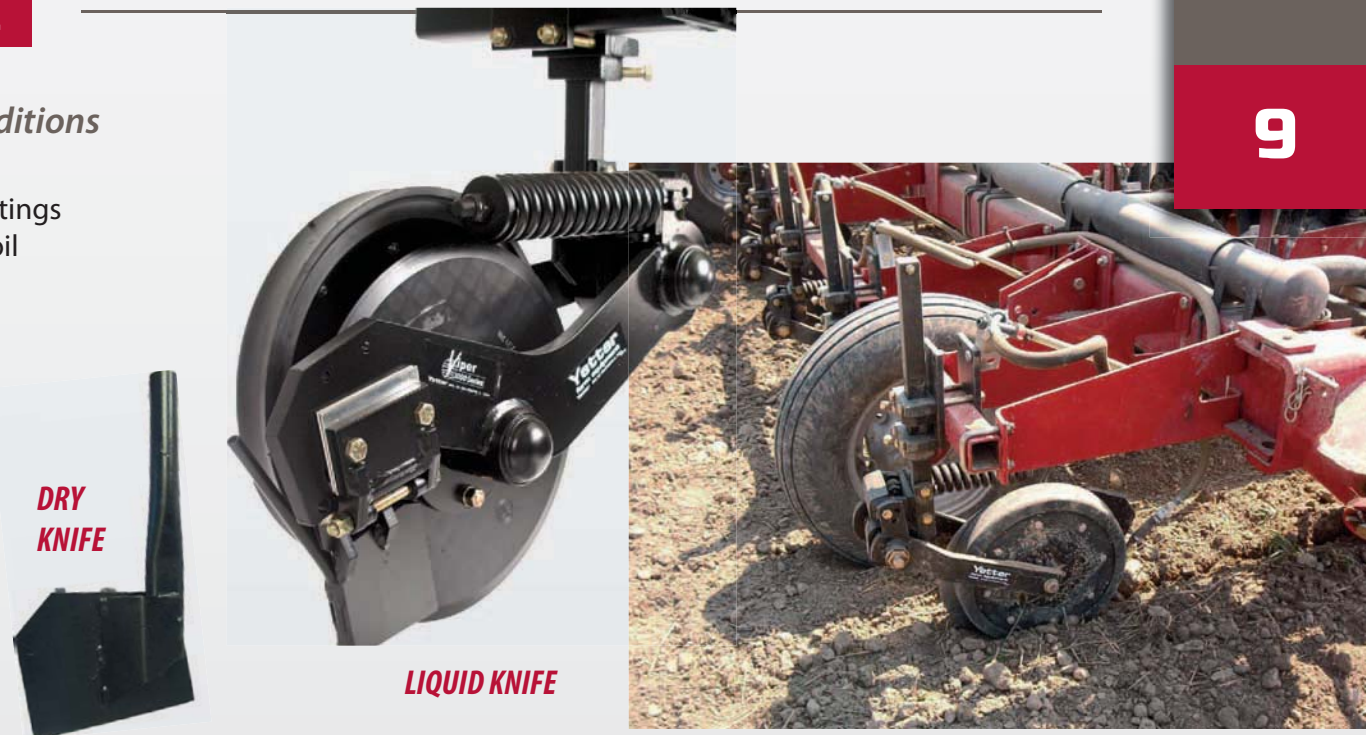


3000 VIPER® II WITH GAUGE WHEEL

Heavy-duty design for the toughest conditions

- True Placement™ of liquid or dry fertilizer
- Features 16" blades and 3 depth increment settings
- Spring-loaded to enable the wheel to follow soil contours and protect against damage from obstructions
- Unique heavy cast mounting clamps on the mounting brackets, which are available to fit most frame sizes found on planters and toolbar applications

> PROFITABLE SOLUTION: Viper knives are designed with ultra-durable tungsten carbide and are spring-loaded.



GENERATION III COULTER

Maximum penetration and cutting

- Has exclusive poly-plastic spring insert to increase down pressure
- Is excellent for tough field conditions with minimal ground contour
- 6" of deflection available with 17" or 20" diameter coultter blades and knives or injectors (shown to right)



2962 UNIT-MOUNTED DOUBLE DISC FERTILIZER OPENER WITH FLOATING RESIDUE MANAGER OPTION

Double up on effectiveness, efficiency, and productivity

- Clear residue and fertilize in one pass
- Opener blade adjacent to row runs straight and parallel to the row
- Second blade runs at a slight angle and contacts the outer edge of the first blade to open trench for pinpoint placement
- Is adjustable for both depth and distance from the row, making it easy to hit the root zone
- Features screw adjust for ease of adjustment
- Coulter places fertilizer at desired depth and distance from row
- Available for **liquid** or **dry** fertilizer



> **PROFITABLE SOLUTION:** Left- and right-handed models available.

2968 ROW-UNIT MOUNT IN-BETWEEN FERTILIZER OPENER

One of the most flexible fertilizer openers on the market

- Achieves consistent off-the-row starter or nitrogen fertilizer placement
- Can be set to apply fertilizer from 1½ to 2" off the row
- Utilizes a 10" disc for easier penetration
- Has compact design for easy mounting
- Is located behind gauge wheel, eliminating fertilizer buildup on gauge wheel
- Depth is adjustable in ¼" increments—up to ½" below the seed
- Allows the use of other attachments on the front of the row unit
- Fits mounted and pull-type planters



2968-030 ROW-UNIT MOUNT IN-BETWEEN FERTILIZER OPENER

CNH compatible

- Mounted to row unit in direct alignment with seed placement to achieve consistent off-the-row starter or nitrogen fertilizer placement
- Can be set to apply fertilizer from 1½ to 2" off the row
- Utilizes an 8" disc for easier penetration
- Has compact design for easy mounting
- Is located behind gauge wheel, eliminating fertilizer buildup
- Is designed to mount on either side of the seed trench, giving producers fertilizer placement options
- Allows residue manager or coulter/residue manager combo to be mounted to the faceplate of the row unit



2959 INJECTION SYSTEM

The planter-mounted one-pass system

- 16" blade cuts a slot 2" to the left or right of the row
- Blade cuts slot to inject liquid fertilizer, giving crops a faster start for maximum yield potential
- Features adjustable depth for desired fertilizer placement
- Is available with spring tine injection option; see right



More Acres, More Productivity

Cover more acres per day—and achieve higher productivity—with the All Steer High Capacity Cart. Use it for herbicide, fertilizer, or insecticide. Use it during planting, for side-dressing, or as you are strip-tilling or cultivating. Use it all you want because the All Steer is built Yetter tough.

The All Steer's low-profile tank design lowers the center of gravity, while the reinforced steel frame and tank frame ensure years of reliable service. All four wheels steer—the rear tires follow the front tires for a tight turning radius with precise tracking. This minimizes damage to standing crops and provides a controlled traffic pattern.

Choose the options from the All Steer lineup that best fit your operation.

- Get the standard 1,600-gallon All Steer cart only, with or without tank saddles.
- Choose the complete 1,600-gallon tank and cart setup.
- For maximum flexibility, choose the 1,600- plus 400-gallon complete tank and cart setup.
- Purchase only the cart for the 1,600- plus 400-gallon All Steer (saddles included).
- Choose from black carts with white tanks or green carts with yellow tanks.



2000 ALL STEER CART

Innovation for tank-based fertilizer application

- Ultra-durable A-frame construction with wide stance and two-point connection design
- Spring-loaded and self-engaging Sure Lock™ allows for one-handed operation
- Supports a maximum load of 30,000 pounds (including cart)
- Large Titan® 18.4-26/10-ply industrial tractor lug tires deliver 26" of ground clearance
- Front axle pivots up to 10 degrees up or down from the centerline to relieve stress using unique dual-pivot design
- Front and rear axles pivot on greasable fifth wheels
- Axles on all models are made of structural steel tubing and feature bolt-on spindles
- Standard axle is for 30" rows
- Standard warning lights and SMV emblem



> **PROFITABLE SOLUTION:** Axle spacer kits available for 22", 36", and 38" row spacing.

2000-001 1,600-GALLON ALL STEER

Low-profile tank design lowers the center of gravity



2000-015 2,000-GALLON DUAL TANK ALL STEER

Low-profile design carries two products for dual application



Cutting Edge Injection

Some state regulations now require that liquid manure be injected or incorporated. Yetter has the best cutting-edge injection equipment in the industry. Put the Avenger® and its accessories to work for your operation and see the Yetter difference.

2986 AVENGER®

High-volume fluid nutrient system

- Cuts through residue, controls soil disturbance, and minimizes ground cover loss with deep-trenching 25" blade set at 5-degree angle
- Spring-loaded scraper blade holds trench open for high-volume 3" drop tube
- Spring-cushioning protects unit from rocks or other obstacles
- Fits 4" x 4", 5" x 7", 6" x 6", and 7" x 7" toolbars
- Features heavy-duty cast hub and spindle with tapered roller bearings
- Enables excellent depth control and low soil disturbance
- Can be economically retrofitted for commercial application equipment



> **PROFITABLE SOLUTION:** Add optional soil disruption guards (as shown) and optional sealing discs or closing wheels to close the trench and reduce odor and volatilization.



Shown with optional sealers.

6000 SERRATED CLOSING DISC

Eliminate sidewall compaction

- Provides a quick return on investment by eliminating sidewall compaction to encourage root development—the foundation of superior yields
- Tough steel blades thrust and slice through the soil for improved closing of the seed trench
- Loosened soil is created by churning action, which improves seed-to-soil contact and germination
- Is available to fit John Deere, Kinze, and CNH planters



6200-109 V CLOSING WHEEL FOR CNH



A popular choice

- Wheels are angled at the bottom for optimum seed-to-soil contact
- Has easily adjustable spring tension
- Features cam pivot bushings that speed centering on the seed trench
- Is available with 1" x 12" rubber or spike wheels in parallel or staggered position

6200 FIRING WHEEL

Encourage even emergence

- Seals the seed opening in the toughest conditions
- Gently firms seedbed
- Complements spike closing wheels
- Helps prevent air pockets
- Has adjustable spring pressure and pivot to follow changing terrain



Shown in raised position.



The Finishing Touch

All the work you put into planter setup and performance can go awry if your seed trench is not properly closed. Yetter has focused on developing tools that seal the deal in no-till and minimum tillage fields. Our closing wheel options have been proven by a third-party study* to outperform the competition in the toughest conditions, breaking sidewall compaction and setting the stage for even emergence and higher yields.



6200 CAST SPIKE CLOSING WHEEL



Increase yield potential

- Improves seed trench closing even in the most severe conditions
- Lifts and fractures soil with exclusive teeth
- Enhances seed-to-soil contact and helps prevent yield-robbing air pockets
- Eliminates potential for sidewall compaction
- Wide-crowned depth band controls spike depth and prevents seed disturbance
- Warms soil over the seed and speeds emergence
- Standard wheel is 15" in diameter
- Available with optional scraper

6200-108 DRAG CHAIN

Helps closing wheels in wet conditions

- $\frac{5}{8}$ " twisted line chain improves seed-to-soil contact for better germination
- Beveled, five-sided links pull more heavy soil onto the trench
- Attaches easily to row unit frame
- Improves stands and yields when coupled with planters applying insecticide



6200 AIR-SEEDER COMPATIBLE SPIKE CLOSING WHEEL

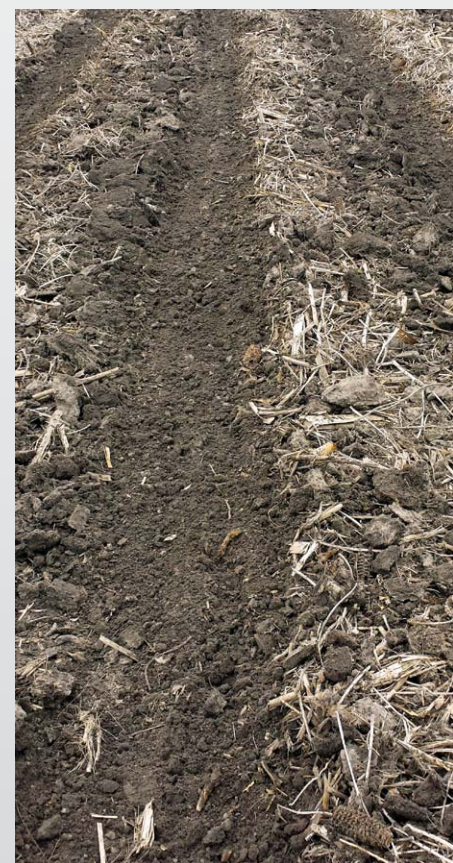
Fight sidewall compaction

- Improves closing of seed furrow in wet seeding conditions
- Enhances seed-to-soil contact
- Eliminates potential sidewall compaction
- Helps warm soil over seed and improve emergence
- Has 13" wheel

6200 PADDLE WHEEL

Close the trench in tough conditions

- Fully closes seed trench in challenging soil—wet or dry
- Ensures full seed-to-soil contact, preventing yield-robbing air pockets
- Fractures sidewall as paddles enter and exit soil
- Helps warm soil to speed even emergence



* Beck's Hybrids Practical Farm Research program 2013 closing wheel study, available at www.beckshybrids.com/Research/Practical-Farm-Research

The Fertilizer Solution for Quick Return on Investment

Input costs for the agricultural industry continue to rise, and today's producers need fertilizer placement solutions that save time and money. With the **2987 Magnum™ for Fertilizer Application** from Yetter Farm Equipment, producers can apply fertilizer early in the spring and plant without an extra tillage pass. The Magnum also allows producers to side-dress in the summer or fertilize in the fall. This versatility is one reason the Magnum offers a quick return on investment.

Less soil disturbance is another valuable attribute of the **2987 Magnum's** single-disc design. Reduced disturbance means more ground cover is preserved, reducing opportunity for erosion. The lightly tilled soil retains a higher level of moisture and carbon. Weed germination is also slowed when soil is not overworked.

2987 MAGNUM FOR FERTILIZER APPLICATION

2987 Magnum Increases Efficiency

The single-disc design of the **2987 Magnum for Fertilizer Application** has a lower draft requirement than many conventional fertilizer application tools and takes less horsepower to operate. Less fuel is required. In Yetter field tests, the Magnum applied fertilizer accurately at speeds of up to **12 mph**, increasing productivity.

Consider:

- A typical **11-knife toolbar** may require **25 hp** per shank to operate at **6 mph**. That's **275 hp**. The same toolbar would cover 18 acres per hour.
- A Magnum **15-coulter toolbar** may require **18 hp per row** to operate at **10 mph**. That's only **270 hp**. The Magnum toolbar would cover 40 acres per hour.
- In one **12-hour day**, a traditional knife toolbar may cover **216 acres** and a coulter toolbar may cover **480 acres**.
- Using the same tractor, it would take **9.26 days** to side-dress **2,000 acres** with a knife toolbar, but only **4.17 days** with the Magnum coulter toolbar.



> PROFITABLE SOLUTION: The durable, standard cast knife wraps around the fertilizer tube, providing better wear protection from the soil.



Precision application in all tillage conditions

- Is capable of applying **anhydrous, liquid, or dry** fertilizer at high application speeds; quick-change tube design allows knives to place different fertilizer types
- Has a 22" blade set at 5-degree angle
- Cuts through residue with minimal soil disturbance and minimal ground cover loss
- Is ideal for fall application, pre-planting, and side-dressing
- Floating scraper is self-adjusting and has a carbide tip for extended wear
- Fits 4" x 4", 4" x 6", 5" x 7", 6" x 6", and 7" x 7" toolbars

Real World Solutions

Ted and Todd Kissinger, Kissinger Farms, Kansas

When the Kissingers began to transition their farming operation to no-till, making the right equipment selection was a big deal, especially for fertilizer application. "We were using a rolling cutter and a shank to apply, but there was just too much disturbance," said Ted.

After extensive research, the Kissingers chose Yetter 2987 Magnums. They modified their toolbar by adding 20 Magnums at 20" centers. "For a smaller operation, it's a big deal that you don't have to buy a whole new unit to get started with no-till."

The Kissingers started out top-dressing or pre-applying anhydrous to wheat and corn with the Magnums, and found operation to be so smooth and easy that they tried it out on other things. "We've used it on our brome grass with good results. We also doubled-cropped into wheat and milo. The lower price of anhydrous and the fact that it's so easy to apply it with the Magnums make it worthwhile to put fertilizer on crops now that we would not have before."

The Kissingers apply fertilizer with the Magnums at an average speed of 8 mph on 2,000-3,000 acres each year.





The Strip-Till Advantage

Strip-tillage offers the advantages of no-till with the bonus of earlier planting dates. It facilitates precise nutrient placement and produces huge savings in terms of time, water, equipment, and fuel costs.

Strip-tilling fractures compacted soil, causing the soil to warm more quickly. And since strip-till does not wear down or dry out soil like conventional methods, it encourages natural organic matter to build up, boosting the rate of water infiltration and resulting in healthier, nutrient-rich soil. Strip-tilled fields absorb water much more quickly and retain it at a considerably higher rate.

2984 MAVERICK™ HR PLUS



HR PLUS



The Next Step in Strip-Till Evolution

Combined with twenty years in the strip-till market, Yetter Farm Equipment's extensive knowledge of tillage practices and our quality designs led to the introduction of the **Maverick™ HR Plus**.

The **Maverick HR Plus** adds more clearance around the residue manager and the knife to run through residue—even cornstalks—without any plugging problems. The independent disc sealer wheels offer infinite adjustments, and the independent gauge wheels offer adjustable depths to make this a versatile tool that meets the challenge of changing ground conditions.

Use this product for both your fall and spring operations. The **Maverick HR Plus** is available for application of dry fertilizer, liquid fertilizer, anhydrous, or any combination.

Overcome higher residue, changing ground conditions

- Spring-loaded disc sealers offer infinite adjustments for width, pitch, and distance from knife
- Is offered with adjustable SharkTooth® wheel or multi-notched disc for managing residue
- Has easily adjustable down-pressure springs
- Heavy-duty parallel linkage arms can be set to follow field contours
- Features a 20" cutting-coulter with 3 adjustable depth settings
- Only one grease zerk to maintain

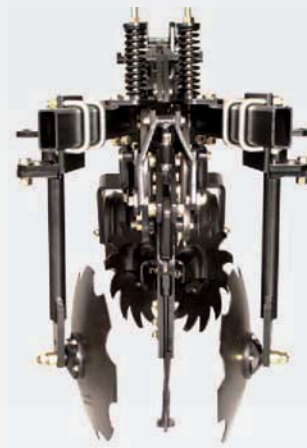
Real World Solutions | Paul Hamann, Minnesota

Paul Hamann estimates he saved several thousand dollars by redesigning and shortening a used ridge-till cultivator bar. Paul outfitted the strip-till bar with Yetter 2984 Maverick HR Plus units, and then mounted the bar on a caddy. To complete the setup, he obtained a 12,000-pound Montag fertilizer cart, built a frame, and attached that to the caddy as well.

Paul's cattle graze in his corn stalks in the fall, so he does spring strip-tilling. The Mavericks help him get the job done in time. He also used the tool on soybeans, and even in his neighbors' alfalfa field, building a berm and putting down fertilizer.

"It's a very good tool, and strip-till is a real asset in dry years," said Paul. "Residue and placement of the fertilizer is extremely crucial. We deposit fertilizer in the berm below the root zone, which enhances the roots and provides stimulus for the roots to go down to find the fertilizer and moisture. I've been able to see the difference between strip-tilled and non-strip-tilled fields."

2984 ROCK TRIP AUTO RESET



Smooth operation in rocky terrain

- Trips the fertilizer knife when an obstacle is encountered
- Knife automatically trips back into place, eliminating the need to leave tractor cab to reset knives or replace bolts

2984 VERTICAL TILLAGE ATTACHMENT



Creates a multifunctional tool for light spring soil work

- Makes the Maverick™ strip-till tool usable in the spring as well as fall
- Warms the planting zone by gently stirring cool, wet soil
- Features two 18", wavy-blade coulters spaced 6" apart
- Uses same coulters as popular Yetter 2982 Vertical Tillage Attachment
- Tills 5" to 8" area
- Bolts directly to Maverick shank in place of the knife

2984 ROLLING BASKET

Tillage and conditioning in one pass

- Breaks up large soil clods, leaving finer soils in the seedbed for optimal seed-to-soil contact
- Unique U-shaped crossbar design shapes and firms the soil berm
- Incorporates herbicides and uproots weeds



> **PROFITABLE SOLUTION:** The Rolling Basket Attachment works with the Maverick™ HR Plus (above) and C-shanks.

Make Residue Coverage Manageable

Residue management is a cost-effective weapon against one of the greatest threats to soil—erosion. Successful residue management depends on proper depth control, which prevents undesirable soil disruption. Yetter focuses on developing a wide range of equipment to meet this challenge, such as the Titan™ floating residue managers on pages 18–19. Yetter models are some of the toughest tools on the market. With so many to choose from, you're sure to find the right solution for the unique needs of your production agriculture operation.



2967-033 RESIDUE MANAGER FOR NH3 APPLICATORS

Make the most of every minute this season

- Allows residue manager wheels to hug the soil surface and effectively move the right amount of residue
- High-strength steel arms hold wheels in place and take on tough residue
- Clears residue ahead of the shank, preventing buildup
- Is perfect for strip-till operations



2967-039 RESIDUE MANAGER FOR FERTILIZER TOOLBARS

Adjustable mounting bracket

- Mounts to a variety of toolbars: 4" square, 7" square, 5" x 7", 4" x 6", and more
- Floating design allows the residue manager wheels to hug the soil surface
- Effectively moves the right amount of residue
- Can be locked down to enhance performance in extreme conditions
- Features depth-control adjustment options to reach desired setting



2966 RESIDUE MANAGER FOR 60/90 OPENER

Tough match for tough residue

- Mounts directly to the seed opener cast arm
- Clears residue from in front of the opener blade for improved seed disc opener performance
- Places residue just to the side of the row rather than tossing it into adjoining rows
- Heavy-duty pivot allows the wheel to float over the soil surface
- Features more ground clearance for transportation
- Is designed for seeders



A Yetter exclusive!



Profitable Solutions for Heavy-Residue Conditions

Conservation tillage techniques leave significant crop residue on the soil surface, protecting soil from wind and water erosion and improving water permeation and soil tilth. The benefits of such practices are clear; however, residue can also present an array of problems. Concentrated residue can isolate the soil from the warmth of the sun, inhibit planting in the spring, diminish seed-to-soil contact, and decelerate seed germination. Managing residue requires a systematic approach from harvest through planting.

Yetter Farm Equipment leads the industry in engineering residue managers that offer profitable solutions to strip-till, no-till, and min-till producers. Our arsenal of residue management equipment allows you to reap the benefits of residue without the hassle.

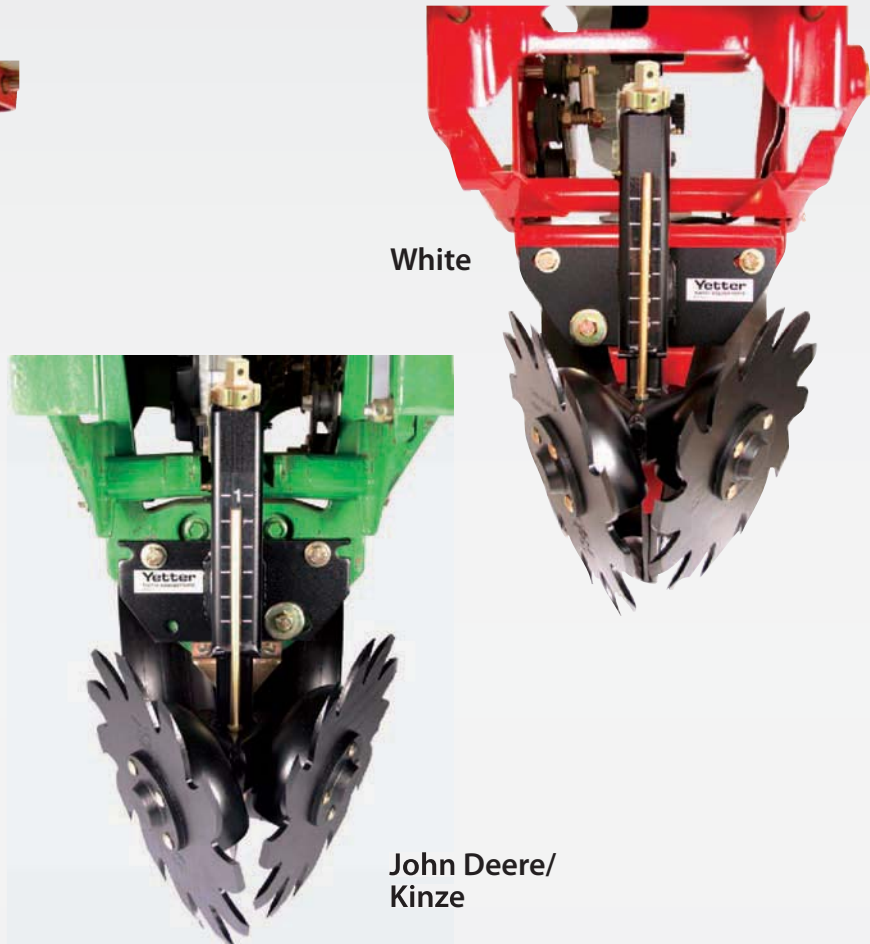
2967 SCREW ADJUST RESIDUE MANAGER FOR JOHN DEERE, CNH, WHITE, AND KINZE

Bringing ease of adjustment to the forefront

- Adapts to all soil conditions
- Depth indicator makes it easy to find and maintain precise depth
- Reduces adjustment time dramatically
- Attaches directly to the faceplate of the planter row unit
- Features an exclusive self-detent adjustment handle
- Adjusts in $\frac{1}{16}$ " increments and features a $\frac{7}{8}$ " socket to speed fine-tuning



CNH



White

John Deere/
Kinze

> PROFITABLE SOLUTION: *Yetter Screw Adjust models are quick to adjust in the field, dramatically reducing down time—adjust the entire planter and be back in the cab in a matter of minutes! These units are extremely effective when soil conditions change each day.*

Real World Solutions

Kurt Oathout, Iowa

"My Yetter 2967 Screw Adjust Residue Managers cleared the path to higher yields in my soybeans. I added them to my 1790 John Deere planter with 15-inch spacing. My no-till soybean yields were an award-winning 89.77—the fourth highest in the country in all categories. Clearing the big pieces of residue out of the path of the planter has led to more consistent seed depth, which means more uniform stands. I operate them in very high residue conditions, and the SharkTooth™ Wheel has not had any issues with plugging. The Screw Adjust feature is operator friendly; I can achieve my desired settings very quickly with a turn of the knob.

"I also use the 6200 Spike Closing Wheels [page 13]. They are really effective at crumbling the soil over the seed and eliminating sidewall compaction. They complement the job the Screw Adjusts do in creating the ideal seedbed. Yetter attachments are durable and well made, and they have really earned their keep in my operation."

2967 RESIDUE MANAGER



Proven performance since introduced in 1991

- Improves seed-to-soil contact
- Fits rows 30" and wider
- Offers vertical depth adjustment

2967 NARROW ROW RESIDUE MANAGER



Perfect for limited clearance

- Use with narrow-row planters that have limited clearance for residue management
- Offers the same features as our standard residue manager
- Moves a narrow strip of residue to ensure proper seed placement without hairpinning
- Tightens the distance between the back of the wheels
- Fits 15", 20", and 22" rows

2967-081 HANGER



A compatibility solution

- Adapts Yetter residue managers for installation on John Deere planter tool-hanger

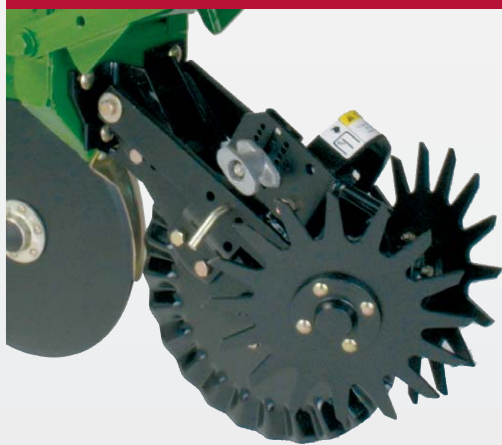
2960/2967-007 TITAN™ FLOATING COMBO RESIDUE MANAGER



A versatile Titan™

- Is specially designed for planters with limited mounting space—fits 30" and 40" row planters
- Is available with same wheel selection as other Titan™ models
- Is available separately or with a cutting coulters assembly
- Can be adjusted to float and follow the soil contour or be locked down to move tough residue

2960/2967 COMBINATION COULTER/RESIDUE MANAGER



The industry's first coulters/residue manager combination

- Mounts on the front of most popular planter units
- Offers one-pass residue clearance, soil preparation, and planting
- Fits an array of Yetter coulters blades to match your soil types and planting conditions
- Is available with QuikAdjust™ mechanism, which allows fast adjustment for ideal ground skimming in fields with varying conditions and residue depths

> **PROFITABLE SOLUTION:** Additional planter down pressure springs are available.

2967-035 TITAN™ RESIDUE MANAGER

Universal-mounting combination design

- Removes residue from in front of the planter row unit without throwing it in front of adjacent units
- Maintains consistent and constant contact at the soil surface
- Reduces soil disturbance with floating design



2967-043 TITAN™ WITH SCREW ADJUST FOR JOHN DEERE COULTERS



Time-saving feature on a Titan™ model

- Compatible with John Deere unit-mounted, no-till coulters
- Adds exclusive screw adjustment feature to Titan™ series
- Enables quick and easy adjustment of floating residue managers
- Achieves fine adjustments for precise settings
- Does not interfere with coulters adjustments



2967-042 TITAN™ FOR JOHN DEERE COULTERS



Easy adjustment with compact design

- Achieves coulters tillage and residue management
- Features a wide range of depth settings
- Has lockdown and floating features
- Doesn't interfere with coulters adjustment
- Keeps residue between rows

2967-008 TITAN™ FOR CNH PLANTERS



Powerful residue management on CNH planters

- Attaches to front of unit-mount coulters
- Can be adjusted to float and follow the soil contour or locked down to move tough residue
- Does not interfere with coulters adjustments
- Keeps residue between rows

2967-029/097* SHORT TITAN™



The most compact residue manager available



- Fits 30" and 40" row planters
- Adjusts from the side without tools
- Has settings with one wheel leading or with both wheels parallel
- High-strength steel arms hold wheels firmly to move tough residue
- High-strength steel arms can be set to float and follow the soil contour or locked down to hold the wheels firmly in place
- Is compatible with most planters

**If you are fitting a John Deere, Kinze, or White planter, choose the 2967-029. Fitting a CNH planter? You need the 2967-097 model.*



2967-013/014 SHORT, NARROW TITAN™



Designed for narrow rows

- Fits 15", 20", and 22" row planters
- Matches performance of floating residue managers for 30" rows
- Powers through the toughest residue without causing undesirable soil disturbance
- High-strength steel arms can be set to float and follow the soil contour or locked down to hold the wheels firmly in place

2967-001/063 & 2967-004/064
SCREW ADJUST FLOATING
RESIDUE MANAGER



The triple threat

- Merges the power of the Short Titan™ and time-saving Screw Adjust technology
- Screw Adjust design dramatically reduces time spent on depth adjustments
- Floating feature moves residue and follows the contours of the ground
- High-strength steel arms can be set to float and follow soil contour or locked down to hold wheel firmly in place
- Is perfect for planters with limited space
- Available for 15", 20", 22", 30", and 40" rows

2967 NARROW ROW RESIDUE MANAGER FOR TWIN-ROW PLANTERS



The narrow-rows solution

- Is a floating, single-wheel residue manager featuring screw-adjust capabilities
- Does not interfere with most other frame-mounted tillage tools
- Fits in 15", twin-row planting setups
- Works with any Yetter residue management wheel option
- Models available to fit various manufacturers' twin-row planters

2940 Air Adjust: Take Control From the Cab



Planting conditions change every hour, every day. That's no problem with Yetter Air Adjust equipment, perfect for your on-the-go operation. No field is completely uniform throughout, and taking time during planting to stop and make adjustments for changing field conditions means you cover fewer acres per day. With the Air Adjust series of products from Yetter, you can cover more ground in less time.



IN-CAB CONTROLLER

On-the-go technology

- Make adjustments quickly and accurately during planting
- Height and down pressure settings can be adjusted independently
- Presets can be programmed for quick changes
- Units can be raised from cab as needed with push of a button for wet areas, waterways, end rows, etc.

1. Preset 1-5 > Press and hold to save the current commanded pressure setting. This enables you to quickly adjust settings for changing field conditions.

2. Menu > Change settings, diagnose issues, and view proper maintenance.

3. Enter > Press to activate/deactivate the system. Press *Enter* when viewing *Menu* options to make selections.

4. Power > Press and hold to turn the 2940-100 In-Cab Controller on/off.

5. Up I-IV > Press I to raise all row cleaners to maximum upward travel position to disengage them from the ground for waterways, headlands, end rows, terraces, etc. Pressing I again lowers all row cleaners to most recent commanded setting. Up II-IV are options for additional functions.

6A. Both functions fine-tune the pressure of the row cleaners to remove exactly the amount of residue desired.

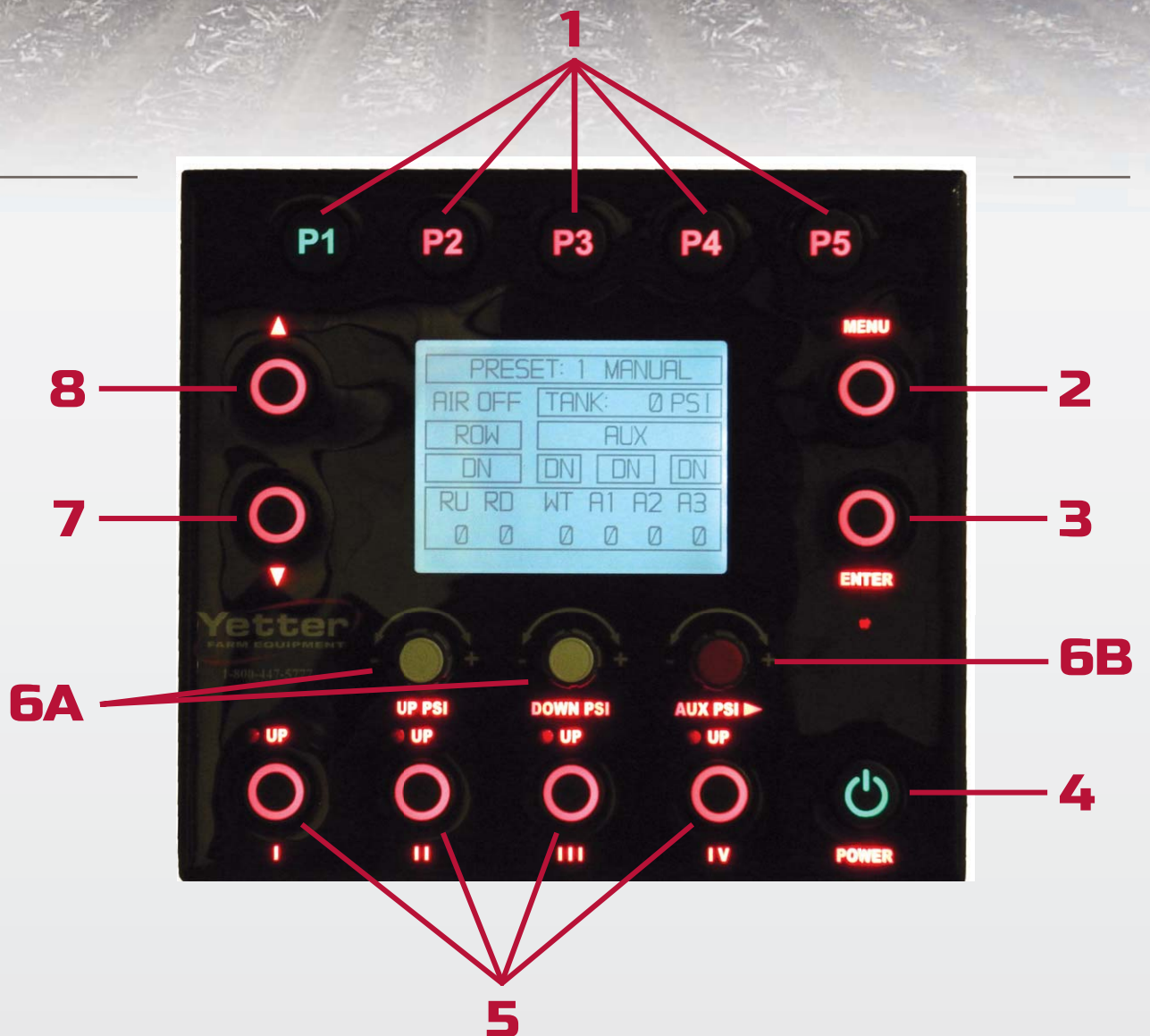
• **PSI UP** > Rotate to increase/decrease air pressure on the up pressure circuit.

• **PSI DOWN** > Rotate to increase/decrease air pressure on the down pressure circuit.

6B. PSI AUX > Push to scroll cursor and then rotate to increase/decrease air pressure on the selected circuit. (Circuit options listed include WT, A1, A2, A3.)

7. Scroll Down > Push to scroll down in the *Menu* display.

8. Scroll Up > Push to scroll up in the *Menu* display.



AIR COMPRESSOR KITS



PNEUMATIC HYDRAULIC CONTROL KIT

- Hooks into an existing or new hydraulic compressor



HYDRAULIC PNEUMATIC COMPRESSOR



ELECTRIC COMPRESSOR

ISOBUS OPTION



JOHN DEERE



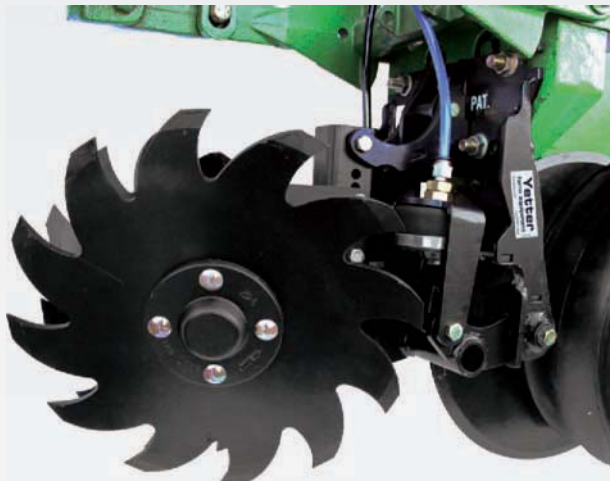
CNH

RESIDUE MANAGER

The residue-managing power Yetter is known for with convenient on-the-go adjustment



- Features parallel linkage so residue manager floats with ground contour
- Available in wide and narrow widths
- Adjust up and down pressures to create the ideal ride for residue managers
- Down pressure can be increased to fix row cleaner in rigid position



COULTER/RESIDUE MANAGER COMBO

Unit-mounted coulters with air-adjustable floating residue manager

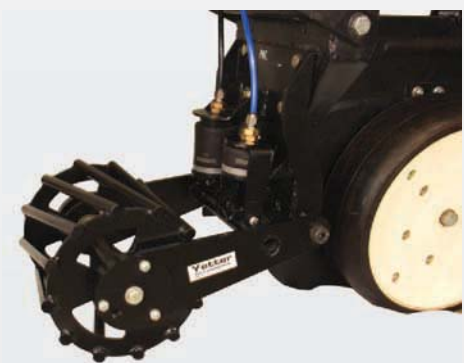
- Coulters can be removed and residue manager can still be run
- Adjust up and down pressures to create the ideal ride for residue managers
- Make adjustments quickly and accurately from cab during planting



ROLLING BASKET

Add rolling baskets to firm soil for ideal seedbed creation

- Helps create smoother ride for planter gauge wheels and row unit



FIRMING WHEEL

A solution for challenging soil



- Complements closing wheels by gently firming the seed zone
- Facilitates ideal seed-to-soil contact for even emergence
- Creates a uniform growing environment and helps prevent air pockets
- Adjustable air pressure increases or decreases down pressure or lifts unit if desired

FLOATING RESIDUE MANAGER BASKET COMBO

Residue managers and rolling baskets in one package

- Removes residue and firms soil for ideal seedbed and smooth ride for planter gauge wheels
- Pressure adjustments independently controlled



Real World Solutions

Justin Martz, Larson Farms, Illinois

"The nice thing about the 2940 Air Adjust Residue Managers is you can change them on the fly—when you come across a waterway or headland, just hit a button and they come up," said Justin Martz, who farms corn and soybeans on Larson Farms.

This year, Justin ran two planters, a John Deere 36-row with the Air Adjust Residue Managers and another with a different product. "The others take a fair amount of time to change," said Justin. "We are constantly adjusting our residue managers as we go through the field, because making little changes can affect the whole year's crop. After getting out three or four times, it gets old. We have a limited window of time to plant, so the time savings is great. With the Air Adjusts, I just hit a button and they go to the preset I've saved."

Attachment Options

SHARKTOOTH® WHEEL

Tackles what others can't

- Backward-sloping teeth cut the toughest residue
- Handles residue from continuous corn and biotech hybrids
- Removes residue from in front of the planter unit
- Won't throw residue into adjacent rows
- Standard blade is 13"
- Is available as 10" blade



2967-602



2967-672



> PROFITABLE SOLUTION:
Multi-hole version (above) fits other manufacturers' hubs.



2967 ADAPTER KIT

Versatile kit fits twin-row planters

- Works with Yetter 2960 series coulters
- Works with any 2967 series residue manager without a stem



1200-001 CHECKER



Make precise row-unit adjustments

- Makes it easy to complete once-time-consuming adjustments during the off-season, saving in-field planting time
- Enables quick and complete planter inspections
- All-steel adjuster provides a platform on which to make adjustments to each row unit and its attachments
- Digital bevel box senses whether surface is level at 180°
- Included planter checklist ensures an optimally adjusted and prepared setup

FINGER WHEEL

Flexibility for all producers

- Is available in ¼"
- Eliminates hairpinning
- Enhances seed environment for better emergence



BEVELED WHEEL

- Heat-treated wheel is ⅜" thick, 13" diameter
- Made of alloy steel for longer wear
- Tills the soil with beveled teeth
- Removes residue for faster soil warm-up
- Eliminates planter row unit bounce



FLOATER WHEEL

Keeping things moving in heavy residue

- Maintains the right depth in all conditions
- Mounts easily to Floating Residue Manager wheels, preventing teeth from gouging the soil
- Has increased surface area



2967 MULTI-NOTCHED DISC

Clean residue release

- Shallow, concave 13" disc has 16 sharpened deep V-notches with unobstructed smooth sides to release residue cleanly
- Slices through challenging residue, leaving a clear path for the seed row
- Minimizes soil displacement because soil can fall back into the row area
- Is made from boron steel to withstand high-wear conditions



2966-199 SOIL SHIELD

Prevent soil buildup on Floater Wheels

- Bolts onto the Floater Wheel to keep soil from catching in the dish design of the wheel
- Decreases the possibility of pitching soil into adjacent rows
- Is constructed of lightweight poly
- Can be retrofitted to existing Floater Wheel design



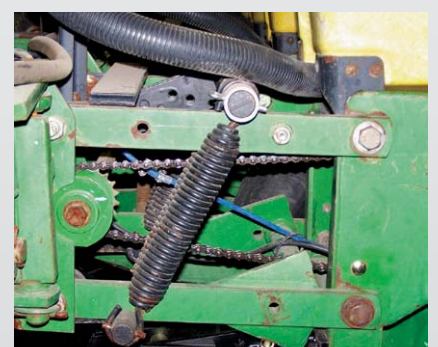
2975 SETBACK KIT

- Assures proper clearance for fertilizer coulters/residue manager combinations
- Works with John Deere 7000 and 7200 and Kinze planters



2960 HEAVY-DUTY SPRING KIT

- Provides necessary amount of down pressure for John Deere 1700, 7000, 7100, 7200, and 7300 planters
- Features heavy-duty adjustable springs





Patented



Protect tires and tracks from premature wear and damage

- Rollers push over stubble as they travel through the field
- Prevents damage to tires, tracks, wires, and hydraulic hoses on combines, trucks, tractors, and implements
- Preserves residue cover
- Crushed, knocked-over stalks facilitate quicker residue breakdown
- Quick and easy to install with mounting kits for most corn head models
- Spring-loaded, solid steel construction
- Stalk Devastator can be left in field position on most OEM header cart trailers

Real World Solutions
Michael Cline, Indiana

Mike Cline runs Yetter 5000 Stalk Devastators on all three of his John Deere S680 12-row combines. They cover 6,500 corn-on-corn acres, successfully knocking down stubble and preventing tire damage. “We really started seeing problems with premature tire damage—after only a year or two, our primary tillage tractors needed new tires,” Mike said. “The stalks are stiffer today, and we are combining a little early so the corn is greener.”

“My dealer recommended the Devastators to me last year. We used them on two combines and they worked really great. The stalks lay down nicely; I got out and checked, and they were broken in a few places, so they stayed down. That helped with breakdown—the residue flowed easier when we made our tillage pass with the disc ripper, and we also had more breakdown over the winter.”

“The Devastators installed really easily—after the first roller was on, we got both combines done in less than an hour and a half. I was worried they would be hard to get on the header carts, but that was easy, too—much better than other ski-style types I have tried.”



> PROFITABLE SOLUTION: Devastator models are available to fit more than 20 corn head models, including 6-, 8-, and 12-row Geringhoff, Drago, Claas and Lexion, and AGCO brands including Gleaner, Gleaner Hugger, Challenger, and Massey-Ferguson corn heads. Visit yetterco.com for a complete listing, or scan the QR code above on your smartphone.



ON HEADER CART



WITH DEVASTATOR



WITHOUT DEVASTATOR



3831 & 3841 DOUBLE HYDRAULIC LOCKING TOOLBAR

Flat-folding heavy-duty toolbar

- 31' model folds to 16' and 41' model folds to 21' to allow for easy transport
- Wings lock rigid using over-the-center hydraulic lockdown or can be set to float
- Customize for use while strip-tilling, cultivating, or fertilizing
- Center and wing sections constructed of 7" x 7" bars with 3/8" wall tubing
- Wings fold using 5" x 24" hydraulic cylinders
- Allows row-unit mounting as narrow as 14" centers and as wide as 60" centers
- Features 5" spacing between front and back bar
- Available with category III, category III narrow, and category IV hitches
- Optional gauge wheels adjustable with ratcheting turnbuckle to control operating depth
- Rear hitch optional



31' Toolbar specs

- Actual length: 30' 7"
- Weight: 3,000 lbs
- Folded width: 16'

41' Toolbar specs

- Actual length: 41' 5"
- Weight: 3,550 lbs
- Folded width: 21'

Ratchet-style gauge wheels
(available for various toolbars)



Pin-free, over-the-center design
locks wings down



3800 SINGLE HYDRAULIC LOCKING TOOLBAR

Customize for your unique operation

- Wings lock rigid using over-the-center hydraulic lockdown or can be set to float
- Customize for use while side-dressing or fertilizing
- Constructed with 7" x 7" bars with 3/8" wall tubing
- Row unit mounting available from 14"-60" centers
- Wings fold with 4" x 24" hydraulic cylinders
- Includes parking stand
- Gauge wheels with ratcheting turnbuckle and rear hitch optional



31' Toolbar weight: 1,700 lbs
41' Toolbar weight: 2,050 lbs



Make the Yetter Mark

Seed costs continue to rise, so it's smart to make the most of your seed investment. Planting without markers can lead to seed skips or overlaps and can hurt your bottom line.

Making effective marks in conservation tillage also improves your ability to control traffic patterns in the field when applying fertilizer, planting, or cultivating. Controlled traffic patterns eliminate compaction problems, allowing for more economical fertilization without skips or overlaps.

Yetter markers are capable of making a highly visible mark in the tough conditions associated with conservation tillage. They provide a distinct indicator to follow, even in fields where residue has built up over time.

Yetter markers are versatile and durable, and are available in sizes and models to fit most popular planters, drills, fertilizer applicators, toolbar applicators, air seeders, and strip-till equipment.

6150 HYDRAULIC MARKER



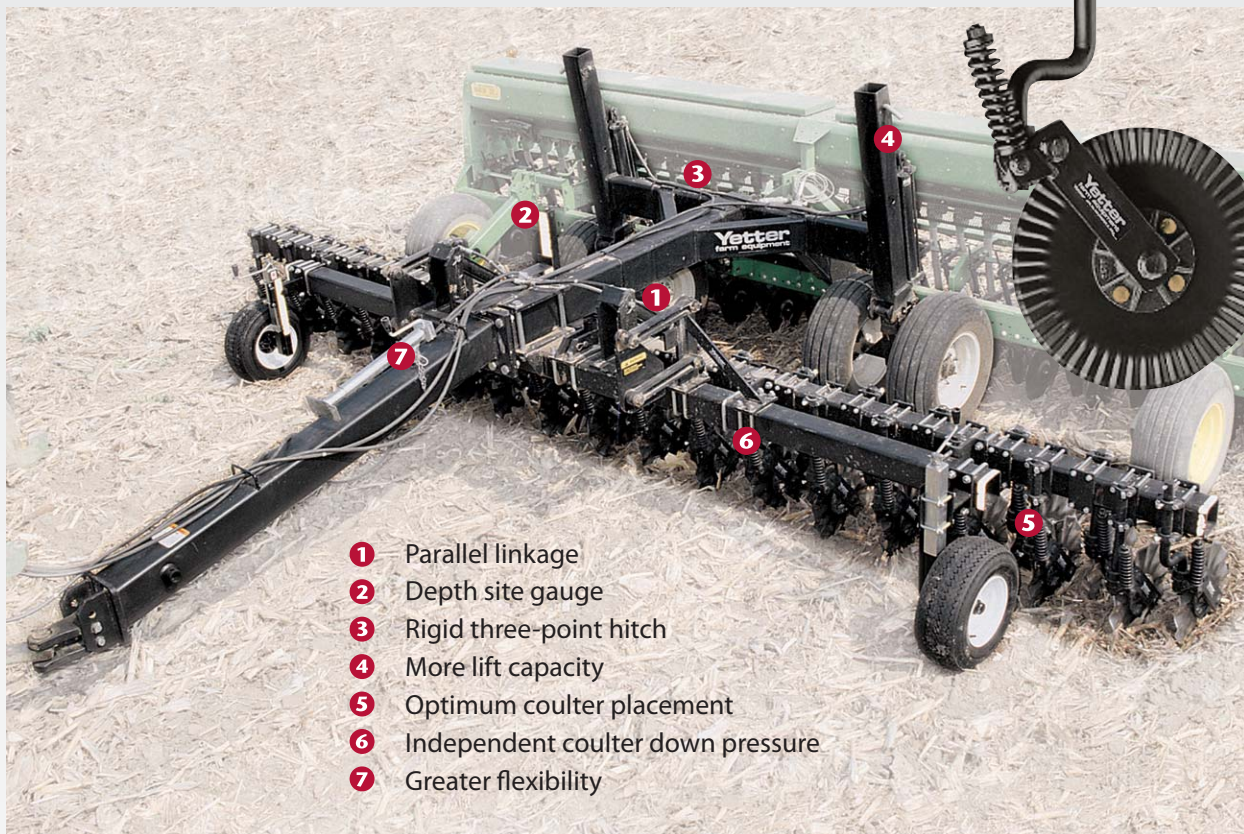
MARKER RECOMMENDATIONS Mount sold separately

Model No.	Planter Type	Marker Spacing	Approximate Marker Reach
6150-007	4RW, 6RN, 6RW, 8RN	15'-20'	87"-132"
6150-008	8RW, 10RN	24'	141"-171"
6150-009	10RW, 12RN	30'	163"-193"
6150-010	12RW	35'	193"-223"

Configure Perfect Planting for Unique Seeding Setups

Your planter has to deliver the perfect depth and seed-to-soil contact for maximum germination. Get impressive results and an immediate return on your investment with our planting equipment. Yetter row-crop units are a cost-effective way to make your planter more versatile, and they adapt easily to a variety of toolbars or to your existing seeding equipment. Our planting accessories are engineered to prepare the perfect seedbed. Small enhancements to your existing equipment could save you a great deal of time, labor, and fuel for years to come.

6300 COULTER CART & 2999 FRAME-MOUNT COULTERS



- 1 Parallel linkage
- 2 Depth site gauge
- 3 Rigid three-point hitch
- 4 More lift capacity
- 5 Optimum coulters placement
- 6 Independent coulters down pressure
- 7 Greater flexibility

Maximum power, minimum effort

- Comes with 2999 Frame-Mount Coulters featuring staggered or offset shanks
- Maintains constant transfer of weight from tractor to coulters for maximum down pressure
- Drill or planter is raised and lowered independently of the coulters bar
- Adjustable, independent down pressure springs adapt to changing terrain and conditions
- Easy setup and swivel arms produce better in-line tracking
- Couples close to the planter or drill for a tighter turning radius and better mobility
- Two 20" hydraulic lift cylinders provide power for added equipment such as markers and fertilizer tanks
- Is available in 15' and 20' models

6300 BASE COULTER CART

Basically rugged

- Sturdy Y-frame features built-in bracing
- Use with V-rippers and up to 7-leg, 280-hp sub-soilers



6150 TRIFOLD & BIFOLD HYDRAULIC MARKER

Clear marks, rugged construction, versatile application

- Increases down pressure for clearer marks and minimizes fence or tree snags
- Is adaptable to most toolbars, planters, and drills and available for implements from 15' to 35'
- Has hinges on the base and double-hinge points at both ends of the first arm to provide more stress-bearing surface for stability
- Has reinforced mid-arm hinge areas
- Features high-quality steel shear bolt mechanisms, heavy tubular steel arms, and heavy-duty hubs
- Is available in a bifold or trifold design



The Rotary Hoe Revival

The rotary hoe is a traditional tool that has adapted well to today's conservation tillage and time-sensitive operations. It achieves results for today's producers even when conditions are not optimal. The Yetter Rotary Hoe is built for long life and reliable, low-maintenance operation year after year. We offer a wide selection of models ranging in length from 15' to 63'.

Dry. Fluff up damp, matted residue fast. Yields rise when you dry out the residue and soil surface before planting.

Rip. Fed up with uncertain chemicals? You'll cut chemical costs and build healthier soils when you use a rotary hoe to rip those weeds out by their roots.

Aerate. Bust the crust—rotary hoes encourage plant emergence and introduce the right mixture of air and moisture under the surface for better root and plant development.

Incorporate. Rotary hoes send herbicides to the root zone to kill more weeds. You can also incorporate broadcast wheat and other small seeds in one fast pass.

> **PROFITABLE SOLUTION:** Yetter Rotary Hoes are available in a wide selection of models: conventional, ridge-till, and min-till.

3700 RIDGE-TILL ROTARY HOE

For continued treatment of planted strips

- Offers all the performance of the conventional rotary hoe
- Facilitates fuel-efficient, one-pass crop maintenance



3400/3500 MIN-TILL ROTARY HOE



The perfect answer for higher residue operations

- Offers all the performance and features of the conventional rotary hoe
- Extended distance between wheels and offset rear wheels facilitate residue flow-through
- Wheels mount directly against the hub, which is integral to the arm, adding life to bearings by keeping them running true in heavier residue conditions



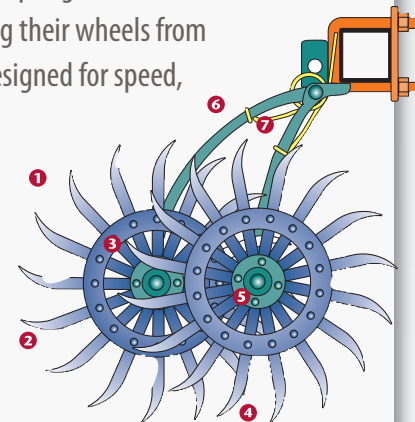
Available in widths from 15 to 63 feet!

What Makes Yetter the Industry's Best Rotary Hoe?

Durable hoe wheels. The wheels' curved-tooth tips go almost straight down and come out at an angle to break up the soil. This action leaves a crop's root systems undisturbed while weeds are ripped out. The 21" diameter wheels are riveted for strength and turn on sealed Gothic arch bearings.

Exclusive cast wheel arms. Each wheel is mounted to its own cast arm. These patented arms are independently spring-cushioned to follow the contour of the soil while protecting their wheels from rocks and other obstructions. With an arm designed for speed, you can cover more acres per day.

- 1 21" wheel diameter
- 2 Spoon bill
- 3 Rivets
- 4 16 forged, self-sharpening teeth
- 5 Sealed Gothic arch bearings
- 6 Independent spring-cushioned arm
- 7 Patented arm



3400/3500 CONVENTIONAL ROTARY HOE



Dry, rip, aerate, incorporate

- Breaks up crusted soil to increase yields and reduce weed populations
- Rips out weeds and aerates around growing plants
- Is available in rigid or 180° flat-folding models with operator shield and parking stand
- Three-point hitch, which fits any category II or III hitch and most quick hitches, is standard
- Light kits included

TRASH GUARD



- Clears residue and clods
- Prevents wheels from locking or dragging

HELPER SPRING



- Increases down pressure by 50%
- Cracks extra-hard crusted soils

GAUGE WHEEL

- Maintains toolbar height
- Allows for hoe wheel flexibility during field operation
- Tires not included



71 PLANTER UNIT

Simple, low-cost, accurate, dependable, flexible

- Is built to last with 12" heat-treated double disc openers that easily handle tough or high-residue soil conditions
- Features parallel linkage, simple depth control, and adjustable down-pressure springs, which keep seed depth uniform in varying terrain
- Big 1.3 bushel hoppers are positioned for fast, easy refills
- Heavy-duty, self-contained ground drive delivers smooth running and accurate seeding across the range of row spacing
- Toolbars available for 1- to 6-row setups

> PROFITABLE SOLUTION: *Failing to properly adjust your planter can significantly reduce your yields. The Yetter website is a valuable tool for brushing up on planting-related tips. Log on to www.yetterco.com and explore the pages under the Resources tab. You'll find a planting preparation guide, in-field planting tips, and suggestions for working with planter-mounted residue managers in soft soils.*



800.447.5777
www.yetterco.com

All the Tools You Need to Capitalize on Bulk Seed Handling

Growers can save time, effort, and money by buying seed in bulk, and no line of bulk seed handling equipment gives you more choices than SystemsOne™.

1300-121 SEED JET II™

The heart of the SystemsOne™ setup

- Is powered by a 13-horsepower Honda engine
- Self-contained power plant attaches to grain wagon or rests in pickup truck (shown without battery)
- Features slide gate to easily adjust flow rate
- Has a long, 35' stainless steel hose that eliminates repositioning



1300-132/133 SEED BOX TRAIN™



Secure two seed boxes for travel

- Mounts on flatbed trailer for towing (requires trailer rated for the gross weight of the Seed Box Train™ and boxes used)
- Trolley slides Seed Jet II™ from one box to another

1300-175 SEED CHUTE ASSEMBLY™



- Redirects seed from center to side for easy unloading
- Durable steel framework quickly attaches to seed boxes

REMOTE CONTROL

- Wireless, handheld remote that starts and stops seed flow



Finding solutions to problems facing farmers is what inspired Harry and Etta Yetter to open a small machine shop in a barn in the 1930s. Soon, farmers from all over the Midwest flocked to western Illinois to purchase the Yetter solution: a wheel-cleaning device that removed and prevented mud buildup on metal tractor wheels. Four generations later, the Yetter tradition continues. We are proud to have reached 85 years of solutions for agriculture, and we celebrate that Yetter is recognized as the leading manufacturer of planter attachments, precision fertilizer placement tools, and residue management products.

Yetter

CELEBRATING

1930 **85** 2015
years

CONNECT WITH US



Where to buy Yetter? Check out the dealer locator on our home page at www.yetterco.com.



FROM A YETTER DEALER
the Fennig Equipment team

Fennig Equipment in Coldwater, Ohio, serves customers in Western Ohio, Indiana, Michigan, and Kentucky. Yetter has been a crucial part of the dealership's product mix since its doors opened. A family-owned business with over 100 years of farming experience, the Fennigs know what good tools can do for farmers' bottom lines. The dealership's product lines represent the same equipment the family uses on its farm.

"Yetter is a well-known brand that stands out for its versatility. Whether a farmer has a new planter or a 20-year-old model, Yetter attachments fit both," said Gary Fennig. "Yetter offers dealer programs that allow us to stock a lot of Yetter equipment so customers can purchase and get parts for products when they need them. And if a customer in my territory needs help, my Yetter rep will call on that farmer."

"Yetter has been around a long time, yet is on the forefront with products—for example, the Devastator™ and 2940 Air Adjust, as well as Cast Spike Closing Wheels and the Magnum™. Yetter develops what farmers need in today's farming operations.

"Yetter offers a versatile, dependable product line, and their commitment to customer support and innovation makes them a long-term partner for Fennig Equipment and our customers."